



sullyActive

Organisation: _____ Date: DD MM YYYY

Client name: _____

Therapist: _____

Technician to call the therapist BEFORE making this device: No Yes

Due Date: DD MM YYYY

Key: Tickbox Upcharge Item

* The tables are a size reference guide for standard items.

BASE OPTIONS

* Refer to Product Flyers for more base frame details.

* Refer to Power Base spec sheet for more options.



Rigid 20 Active Base



Power Base
(All Sizes)

SEATING SYSTEM

	8" <input type="checkbox"/>	10" <input type="checkbox"/>	12" <input type="checkbox"/>
Seat width	200mm	250mm	300mm
Seat length range	175mm - 250mm	250mm - 350mm	250mm - 350mm
Tilt in space range	0 - 20°	0 - 20°	0 - 20°
Adjustable footrest range	145mm - 250mm	220mm - 350mm	220mm - 350mm
Back to seat recline range	90° - 110°	90° - 110°	90° - 110°

BACK SYSTEM*

Tess Back Gibby Back (12" only) TAB with LATS (10" & 12" only) Other: _____

* Refer to Back Support spec sheets for more information

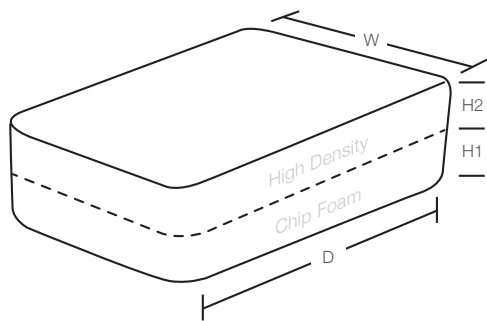
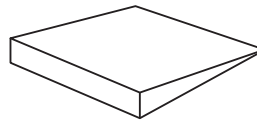


SEATING CUSHIONS

	8"	10"	12"
Cushion - W x D x H	250mm x 290mm x 80mm	300mm x 380mm x 80mm	340mm x 380mm x 80mm
Cushion Foam	30mm Chip & 30mm HD	50mm Chip & 30mm HD	50mm Chip & 30mm HD
Waterproof Cover	black	black	black

- Optional:** Blue waterproof seat cover
- Optional:** Additional seat cover ____ Qty
- Optional:** Cushion Customisation

- Optional:** Seat Wedge Full Length
 - 25mm
 - 50mm



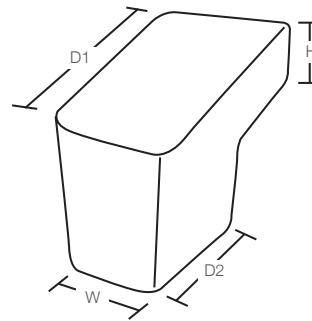
D _____ mm

W _____ mm

H1 _____ Chip Foam

H2 _____ High Density

- Optional:** Custom Abduction Block



H _____ mm

D1 _____ mm

D2 _____ mm

W _____ mm

SPECIALISED CUSHIONS:

- Jay
- Jarik
- Other: _____

Specific model: _____ Size: width: _____(mm) Length: _____(mm)

STRAPS

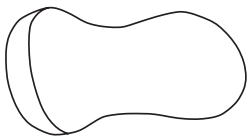
	8"	10"	12"
Pelvic Strap	Size 1	Size 3	Size 4

Select: Alternative Pelvic Strap (W x L Padding)

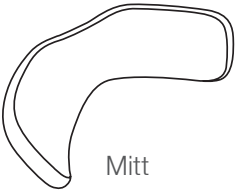
- Size: **1:** 30 x 180 mm **2:** 40 x 200 mm **3:** 40 x 260 mm **4:** 40 x 300 mm



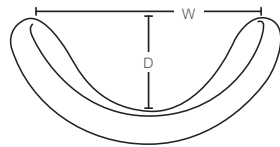
HEADREST



Kidney



Mitt

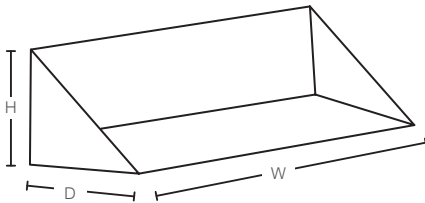
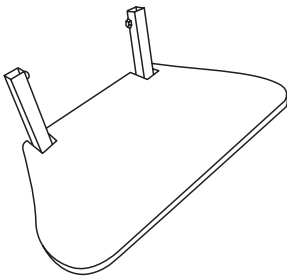


	8"	10"	12"
Kidney	Size 1	Size 1	Size 2
Mitt	Size 1	Size 1	Size 1

Select: Headrests (W x D)

- Kidney 1:** 160 x 55mm **Kidney 2:** 170 x 70mm
 Mitt 1: 190 x 88mm **Mitt 2:** 230 x 103mm

FOOTREST



	8"	10"	12"
Footrest - W x D	300mm x 180mm	300mm x 180mm	320mm x 220mm

Optional: Custom Footrest

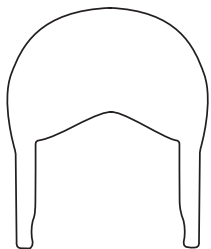
Optional: Foam Lining

H _____ mm
 W _____ mm
 D _____ mm

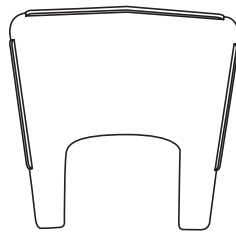
- EVA black foam
 Soft blue foam

LAPTRAY

	8"	10"	12"
Inside - W x D	200mm x 150mm (max)	250mm x 170mm (max)	300mm x 170mm (max)



Sully Tray



Activity Tray

Optional: Additional Elbow Padding on laptray

- EVA black foam
 Soft blue foam

Client name: _____

CUSTOMISATIONS

